

Pressure Limiting & Isolation Valves

MAXISTOP

MAXIMUM POSSIBILITIES

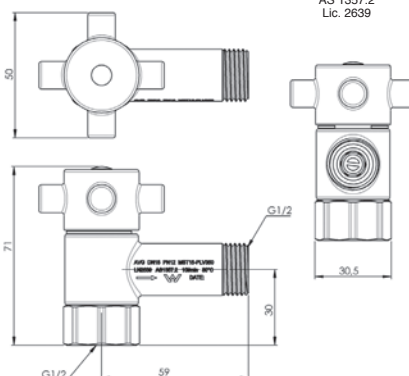
POINT OF USE ISOLATION AND PRESSURE REDUCING PLV, MST-1, MST-2

The "MAXISTOP" (MST) range is a revolutionary new approach to point of use isolation valves incorporating a pressure limiting function. When it comes to protecting flexible hoses, mixer tap cartridges, fridges and appliances etc., from excess pressure the new MST is the perfect choice.

One of the reasons for the development of the "MAXISTOP" (MST) was to prevent excess pressure build-up within the flexible connectors and tap cartridges within a building. Although it's a requirement to fit a 500kPa boundary reduction valve to the property this will only control the pressure within the cold water service and up to the non return isolation valve to a storage water heater. During the heat up cycle of a storage water heater the water within the cylinder will expand and increase the pressure to what ever the pressure and temperature relief valve (PTR) is set to, in most cases this is 1400kPa. This high pressure will remain within the hot water plumbing system until a tap is opened, this can be up to 23 hours per day. It's important to note that the maximum allowable pressure for tap cartridges is 500kPa, cross flow issues may occur when subjected to excess pressure and this cross over could result in a rise in pressure within the cold water plumbing pipe work also.

MST-1 & MST-2 SPECIFICATIONS

| | |
|-------------------|---------------------------------------|
| Body & Handle: | Polished Chrome |
| Ball: | DZR Brass |
| Inlet: | 15mm female |
| Outlet: | MST-1 All positional swivel 15mm male |
| Outlet: | MST-2 All positional swivel 20mm male |
| O rings: | EPDM |
| Seals: | PTFE/EPDM |
| Pressure setting: | 350kPa |
| Flow rate: | 10 liters/min |
| Max temp.: | 80°C |
| Approvals: | AS1357.2 Watermark |



MST-1

Suitable for any 15mm point of use isolation applications



FEATURES

- High quality polished chrome finish
- No need for thread seal tape/sealant
- Quick and easy installation with a soft seal inlet connection
- Firm all positional swivel outlet connection
- Smooth quarter turn on/off operation
- Optional hot or cold indicator buttons
- Plumbing system, tap cartridges, hose and appliance over pressure protection
- Ideal for washing machines and dishwashing machines to help reduce water hammer and most pipe noises
- Pressure limiting function (factory set 350kPa)

MST-2

Ideal for washing machines and dishwashing machines to help reduce water hammer and most pipe noises



02/20

Australian Valve Group Pty Ltd
Unit 2, 9-11 Noble St, Kewdale, WA, 6105

Tel: 1800 AVG AUS (284 287)
Fax: (08) 9353 2689

www.avg.net.au

AVG
Australian Valve Group

DISCLAIMER: Every care has been taken in the preparation of these instructions, which have been issued as a guide only. Compliance with the requirements of local Authorities is required at all times. These requirements may change from time to time. Always be aware of the local requirements. Subject to any statutory obligations and manufacturers warranties no liability can be accepted for any losses, consequential or otherwise which may arise or be said to have arisen from relying upon the contents of this installation instruction as to the fitness of any particular product for any particular purpose, use or application. The Australian Valve Group Pty Ltd reserves the right to modify designs and specifications and to withdraw and introduce products at any time without notice.