

Hose Tap Ball Valves

HTBV

HOSE TAPE BALL VALVES, HTBVB, HTBVC, RWHTBV

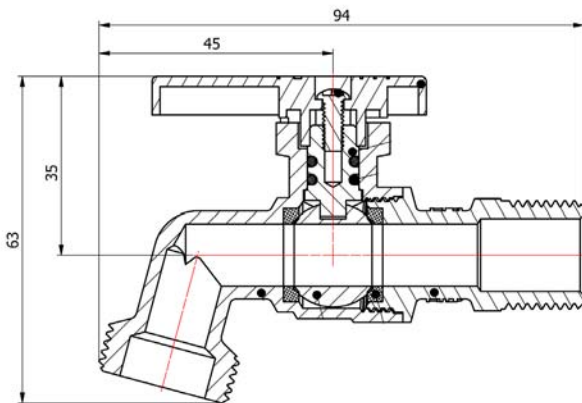
The HTBV range is available in 15mm male connection with 20mm outlet. Hose Tap Extensions are also available.

The HTBV range is available in Chrome, Brass and Lilac for recycled water.

Must be fitted in accordance with AS3500.1 and by a licensed plumber. Install valve with direction of flow as indicated by arrow on valve body.

Valve suitable for horizontal or vertical installation. Flush plumbing before connection. Ensure knob is easily accessible.

HTBV DIMENSIONS



HTEB-15



HTBVB-15

Brass Hose Tap Valve

- Max. Temperature 85°C
- Max. Pressure 1600kPa



HTEC-15



HTBVC-15

Chrome Hose Tap Valve

- Max. Temperature 85°C
- Max. Pressure 1600kPa



HTEL-15



RWHTBV-15

Lilac Recycled Water Hose Tap Valve

- Vandal Proof Handle
- Inc. "Do Not Drink" Sign
- Max. Pressure 1600kPa

MODEL NO.	DN SIZE	DESCRIPTION	OVERALL LENGTH
HTBVB-15	15	15mm Brass Hose Tap Valve	94mm
HTBVC-15	15	15mm Chrome Hose Tap Valve	94mm
RWHTBV-15	15	15mm Lilac Hose Tap Valve	94mm
HTEB-15	15	15mm Brass Hose Tap Ext.	50mm
HTEC-15	15	15mm Chrome Hose Tap Ext.	50mm
HTEL-15	15	15mm Lilac Hose Tap Ext.	50mm

02/20

Australian Valve Group Pty Ltd
Unit 2, 9-11 Noble St, Kewdale, WA, 6105

Tel: 1800 AVG AUS (284 287)
Fax: (08) 9353 2689

www.avg.net.au

AVG
Australian Valve Group

DISCLAIMER: Every care has been taken in the preparation of these instructions, which have been issued as a guide only. Compliance with the requirements of local Authorities is required at all times. These requirements may change from time to time. Always be aware of the local requirements. Subject to any statutory obligations and manufacturers warranties no liability can be accepted for any losses, consequential or otherwise which may arise or be said to have arisen from relying upon the contents of this installation instruction as to the fitness of any particular product for any particular purpose, use or application. The Australian Valve Group Pty Ltd reserves the right to modify designs and specifications and to withdraw and introduce products at any time without notice.