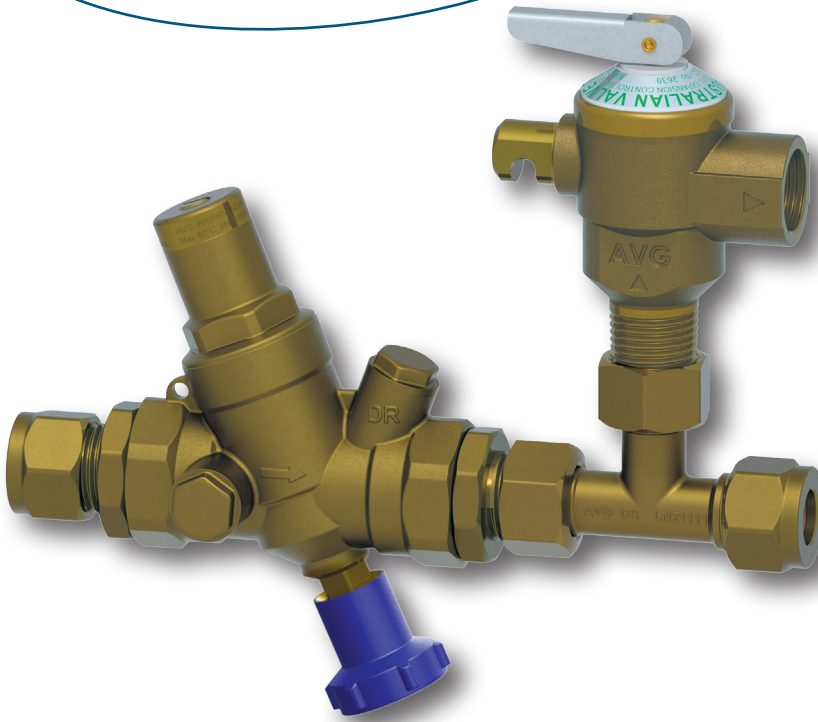


# solar valves

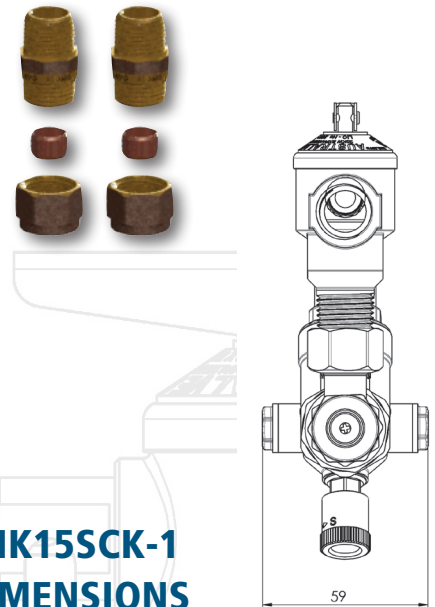
## Solar Control Kit

# QIK15SCK-1



### FEATURES

- Compact design
- Convenient isolation for service or repairs
- Adjustable pressure
- All directional ECV position
- Replaceable ECV
- Vertical or horizontal orientation



### QIK15SCK-1 DIMENSIONS

### SOLAR CONTROL KIT

The new AVG Solar Control Valve is a cold water inlet combination valve for a roof mounted solar hot water heater. The valve assembly is installed in a convenient position for ease of operation.

This innovative cold water inlet combination incorporates an NRI/PRV, strainer and ECV all in one neat package designed with the installing plumber in mind.

The Solar Control Valve requires no thread sealant or tape to assemble and has 15mm compression inlet and outlet connections.

### SPECIFICATIONS

|                        |                 |
|------------------------|-----------------|
| Valve                  | DR brass        |
| Line strainer          | Stainless steel |
| Check valve cartridge. | NORYL           |
| O rings                | EPDM            |
| End connections        | 15mm            |
| Compression olives     | Copper          |

