

Pressure & Temperature Relief Valve

PTR25

PRESSURE & TEMPERATURE RELIEF VALVE, PTR25

The PTR-25 is a safety valve designed to be fitted to a water heater to safely control the water expansion within the water heater during the heating cycle. Water will drip from the PTR drain line during the heating cycle at a rate of 3-6% of the water heater volume.

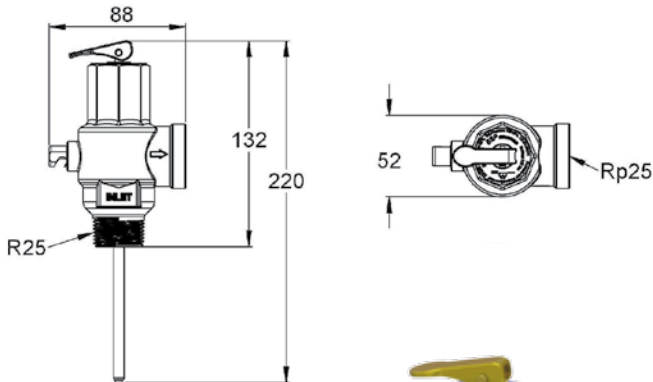
The PTR-25 is fitted with a temperature probe which must be immersed in the hot water and will operate automatically if the temperature within the hot water heater reaches 93°C - 99°C and safely relieve the excess temperature.

Drain lines must be installed as per AS/NZS 3500. All plumbing work must be carried out by a licensed plumber and the valve must be installed as per AS/NZS 3500. The valve pressure is pre-set and cannot be serviced.

25mm



PTR25 DIMENSIONS



SPECIFICATIONS

Valve body	Bronze
Pressure spring	Stainless Steel
Valve seal	Silicon Rubber
"O" rings	Silicon Rubber
Valve piston	DR Brass
Valve pin	DR Brass
Auxiliary relief body	Brass
Auxiliary relief seal	Silicon Rubber
Valve easing lever	Brass
Element	Copper/Stainless Steel
Element sheath	Polyethelene
Inlet	R25mm
Drain outlet	Rp25mm
Set pressure	400 kPa, 700 kPa
Kilowatt rating	132 Kw
Temperature range	93°C - 99°C

Models available in:

PTR25-400 kPa

PTR25-700 kPa



WARRANTY: This valve is factory set and cannot be serviced or repaired in the field. The Australian Valve Group (AVG) will not honour any warranty claim where these instructions have not been followed, or where the valve has been tampered with or subjected to obvious abuse.

Australian Valve Group Pty Ltd
Unit 2, 9-11 Noble St, Kewdale, WA, 6105

Tel: 1800 AVG AUS (284 287)
Fax: (08) 9353 2689

www.avg.net.au

AVG
Australian Valve Group

DISCLAIMER: Every care has been taken in the preparation of these instructions, which have been issued as a guide only. Compliance with the requirements of local Authorities is required at all times. These requirements may change from time to time. Always be aware of the local requirements. Subject to any statutory obligations and manufacturers warranties no liability can be accepted for any losses, consequential or otherwise which may arise or be said to have arisen from relying upon the contents of this installation instruction as to the fitness of any particular product for any particular purpose, use or application. The Australian Valve Group Pty Ltd reserves the right to modify designs and specifications and to withdraw and introduce products at any time without notice.