

Expansion Control Valve

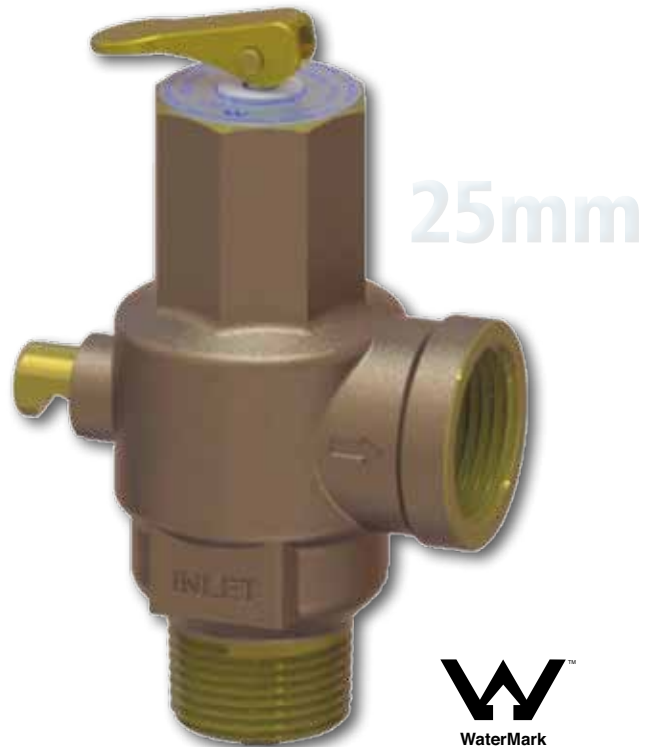
ECV25

EXPANSION CONTROL VALVE, ECV25

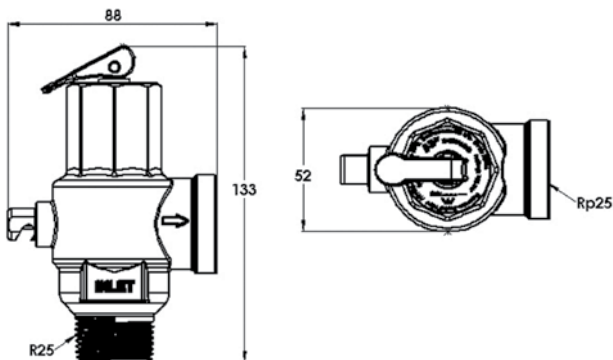
The ECV25 is a safety valve designed to be fitted to the cold water inlet feed to a water heater to safely control the water expansion within the water heater during the heating cycle.

Water will drip from the ECV drain line during the heating cycle at a rate of 3 - 6% of the water heater volume.

Drain lines must be installed as per AS/NZS 3500. All plumbing work must be carried out by a licensed plumber and the valve must be installed as per AS/NZS 3500. The valve pressure is pre-set and cannot be serviced.



ECV25 DIMENSIONS



Models available in:

ECV25-300 kPa

ECV25-700 kPa

ECV25-850 kPa



SPECIFICATIONS

Valve body	Bronze
Pressure spring	Stainless Steel
Valve seal	Silicon Rubber
"O" rings	Silicon Rubber
Valve piston	DR Brass
Valve pin	DR Brass
Auxiliary relief body	Brass
Auxiliary relief seal	Silicon Rubber
Valve easing lever	Brass
Inlet	R25mm
Drain outlet	Rp25mm
Set pressure	300 kPa, 700 kPa, 850 kPa
Kilowatt rating	132 Kw
Maximum temperature	99 °C

WARRANTY: This valve is factory set and cannot be serviced or repaired in the field. The Australian Valve Group (AVG) will not honour any warranty claim where these instructions have not been followed, or where the valve has been tampered with or subjected to obvious abuse.