

Mixing Valve HI-FLO 25

INTRODUCTION

Australian Valve Group continues to develop new and innovative products which have been designed to challenge the plumbing industries expectations for bespoke designs which not only meet but exceed the end users requirements.

The addition of the HI-FLO mixing valve range is a direct result of industry consultation and a need for more flow at lower inlet pressures.

By incorporating improved efficiencies, ease of installation and serviceability AVG has put the icing on the cake.

The new HI-FLO mixing valve can be supplied as a TMV or a TVA with 20mm or 25mm connections, a solar version is also available. All valves are supplied with high temperature low opening energy check valve filter assemblies making it perfect for low pressure installations.

The HI-FLO range is supplied tested with the outlet temperature pre set, each thermostatic cartridge is subjected to a cold water shut off test as part of the test procedure.

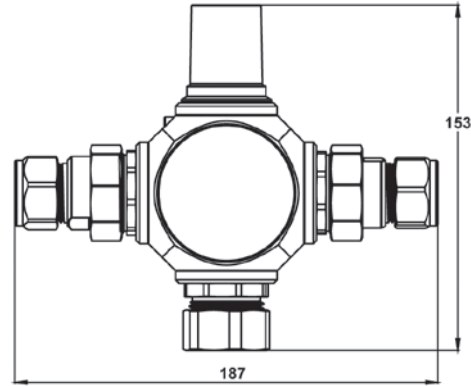


**Insulation
INCLUDED**

MODEL NO.	DESCRIPTION
TVA20LOW	20mm Tempering Valve Low Pressure
TVA25LOW	25mm Tempering Valve Low Pressure 20mm inlets, 25mm Outlet
TVA20HF	20mm Tempering Valve High Flow
TVA25HF	25mm Tempering Valve High Flow 20mm Inlets, 25mm Outlet
TMV25	25mm Thermostatic Mixing Valve 20mm Inlets, 25mm Outlet

Mixing Valve HI-FLO 25

HI-FLO 25 DIMENSIONS



FEATURES

Proudly Australian made and ideal for low pressure applications.

"Just add water", the HI-FLO mixing valve comes preassembled in one piece, tested and ready to install.

Complete with loose nut and tail connection fittings for ease of servicing and is also available with optional hot and cold water isolation ball valves.

Operates in any orientation and is suitable for low pressure installations and multiple outlet installations. The HI-FLO comes supplied tested with the mixed water outlet temperature pre set .

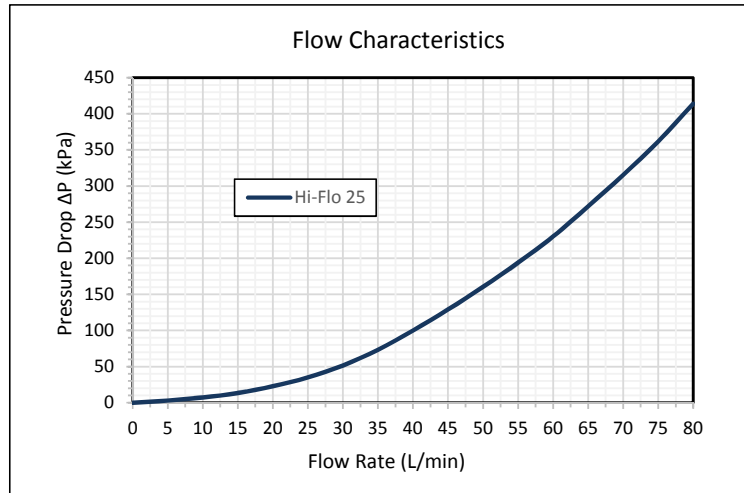
"Cold water shut off". Each valve cartridge is subjected to a cold water shut off test as part of the test procedure.

Quick and easy serviceable hot and cold filter and check valve assemblies and thermostatic cartridge.

Australian Valve Group offer the option of a concealed stainless steel box with a lockable door to prevent unauthorised access to the thermostatic mixing valve. The concealed box can be provided plumbed with copper tails or alternatively with male compression connections complete with nuts and olives.

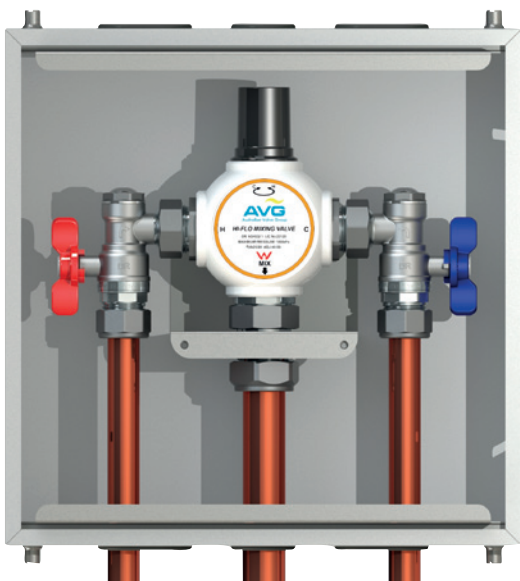
The HI-FLO Thermostatic Mixing Valve is suitable for many applications. The Head loss Characteristic for Mixed Outlet Flow rate versus Balanced Inlet Pressure is shown.

NOTE: It is important that the valve is sized correctly.



SPECIFICATIONS

Valve body	POM
Inlet/outlet connections	Chrome plated DR brass
Optional isolation ball valves	Chrome plated DR brass
Thermostatic cartridge	Polymer
Inlet/Outlet size options	3/4" and optional 1"
Check valve assemblies	Polymer Body, stainless steel filter, silicone seals
Temperature adjustment range	35°C - 65°C (Disinfection setting) Legionella control
Factory pre-set temperatures	40°C or 50°C or 55°C
Temperature control	+_ 2C
Hot to Mix Temperature Differential for effective cold water isolation	Minimum 15°C
Maximum pressure	1000 kPa
Dynamic pressure range	20 kPa - 500 kPa
Minimum flow rate	4 litres/min



Features and Specifications