

Boundary Pressure Reduction Valve

PRVB20-BV20

PRESET 500kPa

PRESSURE REDUCTION VALVE BALL VALVE, PRVBV

In close consultation with plumbers and the plumbing industry AVG continues to develop new and innovative products and strives to make plumbing installations quick and easy for the plumber.

The new compact PRV20-BV20 is a combination 20mm Pressure Reduction and isolation Ball Valve designed to control the incoming water pressure to the property to no more than 500kPa as per AS3500.

The valve is designed to be installed at the wall of the building which allows for convenient water isolation without having to rummage around looking for the water meter at the property boundary.

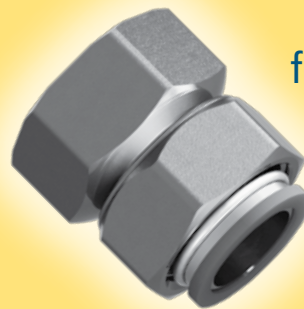
The new PRVB-BV20 is supplied complete with a universal loose nut adaptor which allows for either a threaded wall connection to the plumbing or optionally directly to 20mm copper tube at the wall. (See diagram)



FEATURES

- Includes Patented PRV design
- Convenient wall location
- Quick and easy to install
- Compact design
- Reduced number of fittings required to install
- Less potential leak points
- Innovative universal loose nut adaptor (See diagram)
- Easily removable
- Superior flow capacity, 170 litres/min as per AS1357.2
- Stainless steel seat
- Sturdy DR brass body
- Brass adjustment cover
- Stainless steel ball valve handle

INCLUDES loose nut fitting for easy removal



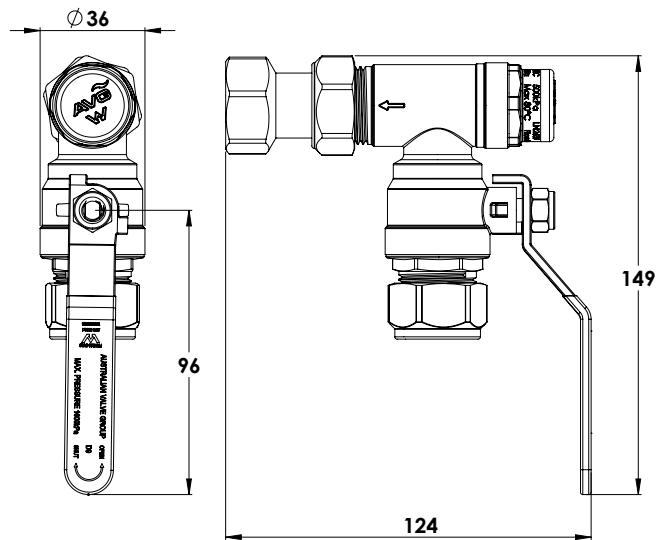
Boundary Pressure Reduction Valve

PRVB20-BV20

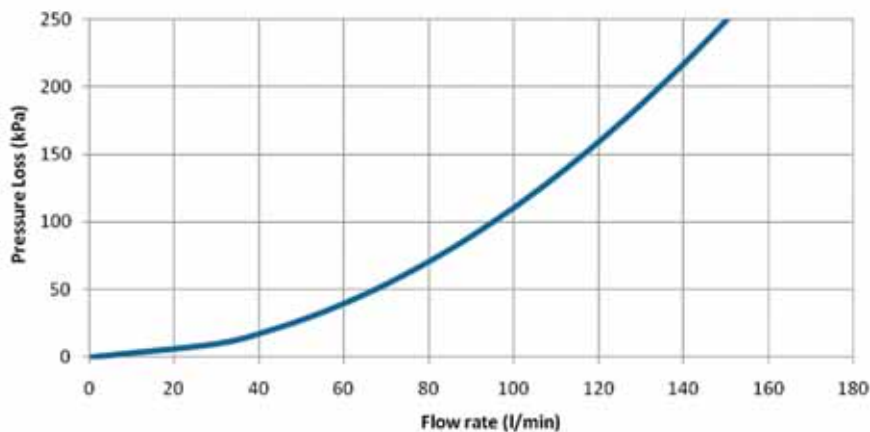
INSTALLATION

- AVG valves should always be installed by a licensed plumber in accordance with National Plumbing and Drainage Code AS/NZS 3500 and comply with any Local Authority requirements.
- Flush all pipe work before installing valve.
- Install the PRVBV with the direction of flow, as indicated by the arrow on the valve body.
- The valve should be installed where it is easily accessible.
- Suitable for installation below ground in a suitable approved box.
- Do not expose a PRVBV to a torch flame or heat. Excessive heat will destroy the seals and sealing components.

PRVB20-BV20 DIMENSIONS



PRESSURE COMPARISON



SPECIFICATIONS

- Flow rating: 170 l/min, as per AS1357.2
Set pressure: 500kPa, at 1600kPa Inlet Pressure
Max operating temp.: 80°C
Connections: 20mm Compression to 20mm Female
Watermark: WMKA2639

Installation Instructions