

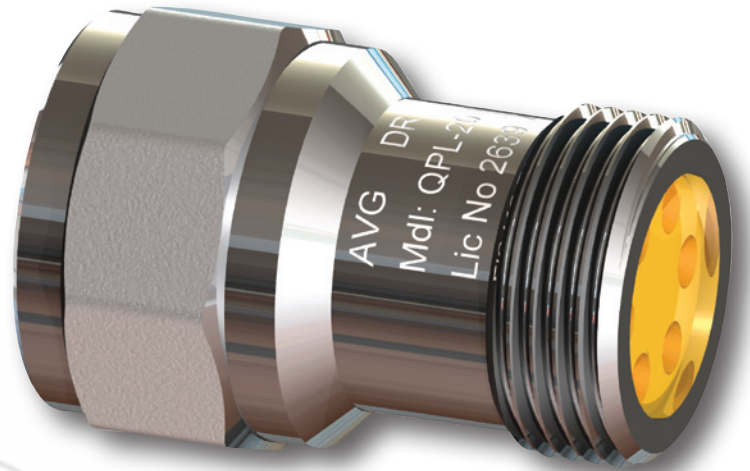
# Quiet Valve Noise Reduction

# QPL-20

## NOISE REDUCTION VALVE QUIET VALE, QPL-20

The Quiet Valve is designed to reduce the noise caused by high velocity water and water hammer. This is achieved by reducing the outlet pressure through the Quiet Valve to an acceptable level.

The use of the Quiet Valve also reduces the risk of burst hoses.



## INSTALLATION

STEP 1: Turn off the washing machine tap and unscrew the hose if connected.

STEP 2: Screw the Quiet Valve onto the end of the tap where you removed the hose using the sealing washer provided. NOTE : No thread seal tape is required.

STEP 3: Re - fit the washing machine hose to the Quiet Valve and ensure that the strainer and seal are centrally aligned inside the attaching washing machine nut to prevent any obstruction to the flow.



## FOR WASHING MACHINES & DISHWASHERS

## SPECIFICATIONS

Model no. QPL-20

Maximum inlet pressure: 1400 kPa

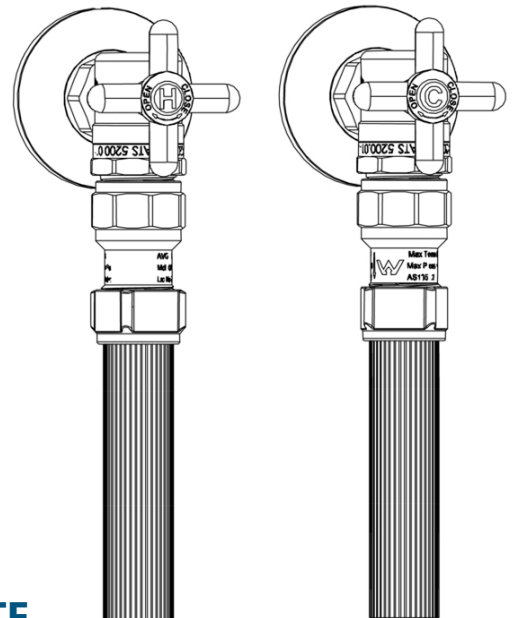
Maximum temperature: 65°C

Outlet pressure: 400kPa at 700 kPa inlet

Flow rate: 20 litres/min at 700 kPa inlet

Top connection: 20mm ( 3/4" ) BSP female

Outlet connection: 20mm ( 3/4" ) BSP male



**REDUCES water  
hammer & most  
PIPE NOISES**



## NOTE

- As the Quiet Valve is a pressure and flow restricting device, the cycle times for washing may increase. If the device being protected has both hot and cold inlets connected, then a Quiet Valve may be required on both hot and cold connections.