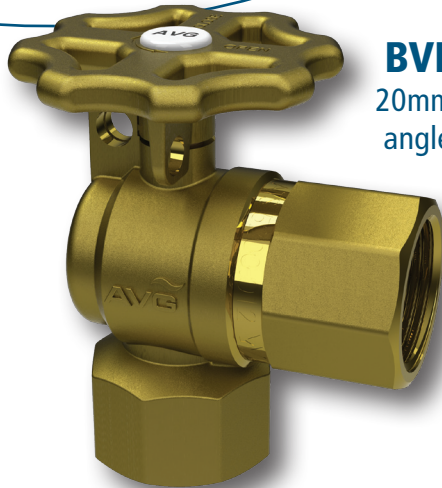


20mm (3/4") Right Angle Ball Valves

BVE20



BVE20-20F
20mm F x F right
angle ball valve



BVE20-20C
20mm C x F right
angle ball valve



20MM (3/4") RIGHT ANGLE BALL VALVE, BVE20

The AVG right angle ball valve is ideal for Property and Unit Development meter connection applications and in applications where security from tampering is a concern.

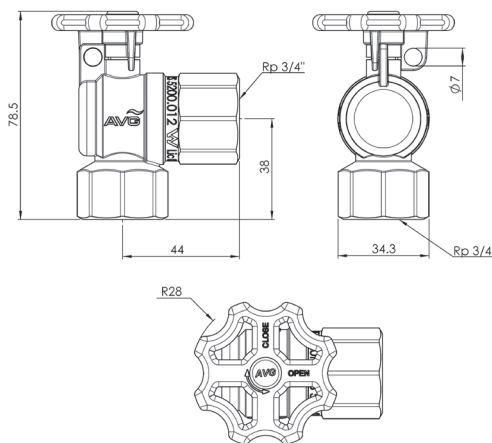
The BVE20-20F and BVE20-20C right angle ball valve is lockable in both open and closed position and is watermark Approved.

The BVE20-20F and BVE20-20C valve is also available as part of the AVG Meter Connection Kit MCK20.

FEATURES

- D.R Brass
- Pressure rated to 2500kPa
- Stainless steel ball
- Large bore
- Handle lockable in booth open and closed position
- Watermark certified ATS 5200.012

BVE20-20F DIMENSIONS



BVE20-20C DIMENSIONS

