

solar valves

Pump Connection Kit

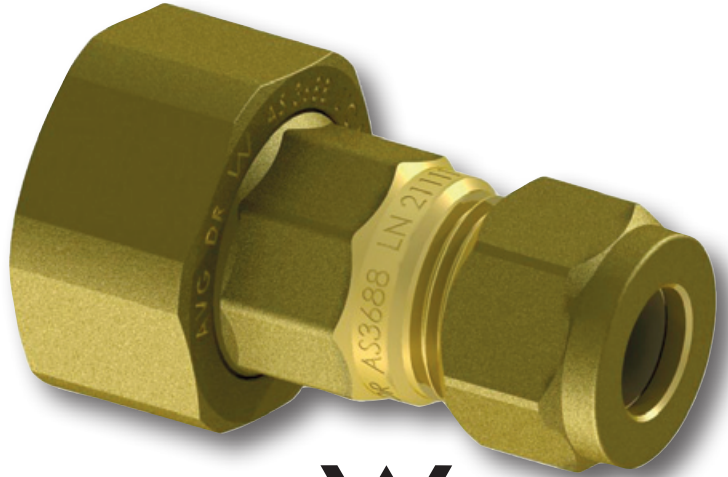
BFU25Q15C

PUMP CONNECTION KIT

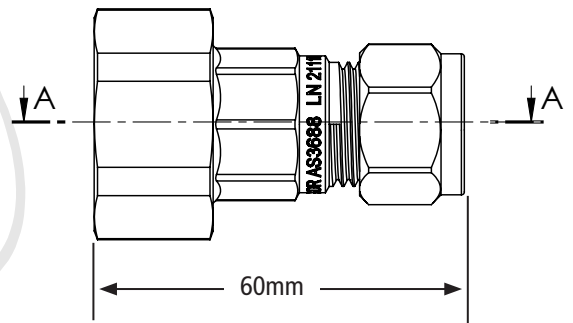
AVG as a company is dedicated to developing new and innovative products to the plumbing industry designed with the plumber in mind.

The Pump Connection Kit which consists of two BFU25Q15C adaptors has been developed as an addition to the ever growing range of solar valves and fittings available from AVG.

The two BFU25Q15C adaptors provided in the kit are designed to be connected to the 25mm male inlet and outlet connections of a circulating pump and include 15mm compression end connections. The connection to the pump is a 25mm loose nut and sealing washer designed to allow the easy removal of the pump for service or replacement.



BFU25Q15C DIMENSIONS



Kit includes TWO ADAPTORS

